

PRESS INFORMATION

Long version

The *Trend 90*: ready-to-go anniversary model for a fantastic price

2021 marks Dethleffs' 90th anniversary. And what better way to celebrate than with an anniversary edition of the most popular motorhome series in Dethleffs' portfolio: the *Trend 90*. Fitted with a powerful 165 HP engine and a wide array of state-of-the-art features, the *Trend 90* has all that is needed to hit the road immediately. The *Trend 90* is available in eight popular layouts in the Low Profile class – and at an attractive anniversary price that can save buyers a lot of money.

Anniversaries are there to be celebrated. And Dethleffs is celebrating with its customers. Ninety years ago, caravan pioneer Arist Dethleffs developed the first “Wohnauto” (original camper), thus creating a camping trend across Europe. In this milestone year, Dethleffs has issued another attractive special-edition model: the *Trend 90*. The motorhomes in the Trend series have been some of the most successful Dethleffs models for many years now. And for good reason. Ultimately, they impress buyers with their modern design, extensive standard features and excellent value for money. With eight layouts, the *Trend 90* in the Low Profile class offers an extremely wide range of options for a variety of purposes. All Trend models have two things in common: the safety and quality expected of a Dethleffs vehicle. This can be seen in the use of the Lifetime Smart body construction, which is usual for this class. The rot-free floor construction with no wood inserts but with GRP cladding on the underslung and roof will ensure the vehicle has a long service life and retains its value.

PRESS INFORMATION

Anniversary package at an attractive price

Dethleffs has produced an extremely attractive package of features for the *Trend 90* anniversary model, including a high-performance drive as well as numerous practical and high-quality optional extras: The anniversary package includes alloy wheels, automatic air-conditioning in the driver's cab, a multifunctional leather steering wheel and a large over-cab skylight in the T-hood as well as a comfortable L-shaped lounge (not included in DBL and EBL layouts), flush-fitting windows with built-in privacy blinds and flyscreens, a 70 centimetre-wide habitation door with a window and central locking, black-out blinds in the driver's cab, the Light Moments light package for atmospheric lighting and so much more. The list of optional extras is therefore short, as the *Trend 90* already has pretty much all that is needed to hit the road.

The 165 HP engine and its dynamic driving characteristics

The anniversary edition is available in the eight most popular layouts, and solely in the Low Profile class. All models are based on the Citroën Jumper Light with a low-platform chassis, and the 165 HP (121 kW) drive plays a key role in the vehicle's dynamic driving characteristics. It also masters every incline, even when the vehicle is fully loaded. The *Trend 90* runs on 16-inch alloy wheels and comes with LED daytime running lights, exterior mirrors that can be adjusted and heated electrically as well as height-adjustable, tiltable driver and front passenger captain seats with double armrests and a swivel function, all as standard.


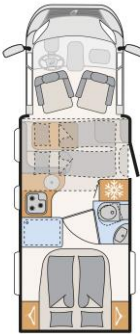
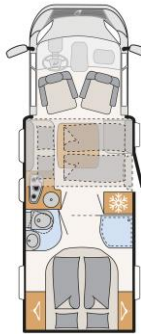

Inside and out, the *Trend 90* makes a fashionable statement, no matter the model in the Trend series. This includes the attractive exterior in white with the dynamic curve typical of family vehicles, the striking rear light bar and the bumpers painted in the same colour as the vehicle. The coupé entrance at the habitation door with a built-in step conveniently leads into the lounge, where the modern interior design with a mixture of wood and white surfaces creates clear lines and a welcoming, home-like ambiance. The Metropolitan upholstery designed for the anniversary series with its trendy fabrics in light grey blends in harmoniously here.

PRESS INFORMATION

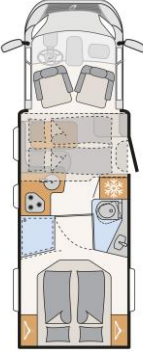
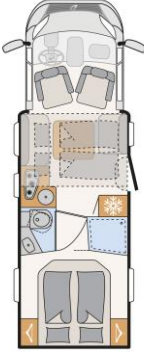
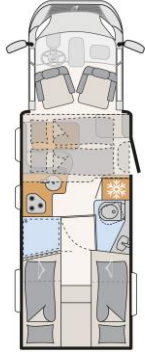
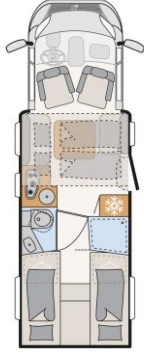
Gourmet kitchen and bathroom

All layouts have one thing in common: a fully furnished gourmet kitchen with a three-ring stove, plenty of storage space in the cupboards with soft-close function and lots of space for preparing meals. Six of the choice of eight layouts for the *Trend 90* anniversary model even feature bathroom facilities with a separate shower and toilet and the ability to separate the bathroom and bedroom from the lounge.

An overview of the *Trend 90* layouts

			
T 6717 EB	T 6757 DBM	T 6757 DBL	T 7017 EB

PRESS INFORMATION

			
T 7057 DBM	T 7057 DBL	T 7057 EB	T 7057 EBL

PRESS INFORMATION

About Dethleffs

“Not without my family!” This decision taken by Arist Dethleffs in 1931 inspired him to design Germany’s first ever caravan, which he called the “Wohnauto” (original camper) – all because the ski pole and horsewhip manufacturer wanted to have his family by his side when he went on long business trips. Very few people were familiar with the word “leisure” back then; family holidays were a privilege and tourism was still in its infancy. The invention of the Dethleffs caravan marked the beginning of a new era – especially for the company, which eventually devoted itself entirely to the production of caravans, followed by motorhomes.

The pioneering spirit of Arist Dethleffs can still be felt throughout the company to this day. It can be found in the ongoing development of model ranges, in the countless innovations and, needless to say, at the heart of the Dethleffs camping story – the family. The company has had close ties with Isny im Allgäu since the very beginning and, with its position as a “friend of the family”, has its sights firmly set on the core values of the brand.

In addition to motorhomes and caravans from the Dethleffs brand, camper vans and urban vehicles for the Pössl and Crosscamp brands are also developed and produced in Isny.

Erwin Hymer Group

The Erwin Hymer Group is a 100 percent subsidiary of Thor Industries, the world’s leading manufacturer of recreational vehicles with more than 25,000 employees worldwide. The Erwin Hymer Group unites motorhome and caravan manufacturers as well as accessory specialists, hire and financing services under one roof. The motorhome and caravan brands Buccaneer, Bürstner, Carado, Crosscamp, Compass, Dethleffs, Elddis, Eriba, Etrusco, Hymer, Niesmann+Bischoff, Laika, LMC, Sunlight and Xplore, the motorhome rental companies Crossrent, McRent and rent easy, the chassis specialist Goldschmitt, the accessories specialist Movera and the touring portal freeontour all belong to the Erwin Hymer Group. Further information can be found at www.erwinhymergroup.com.